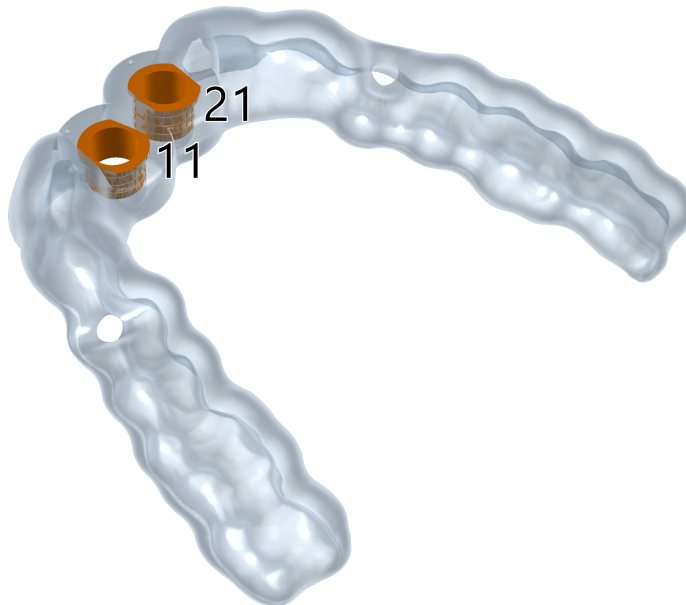
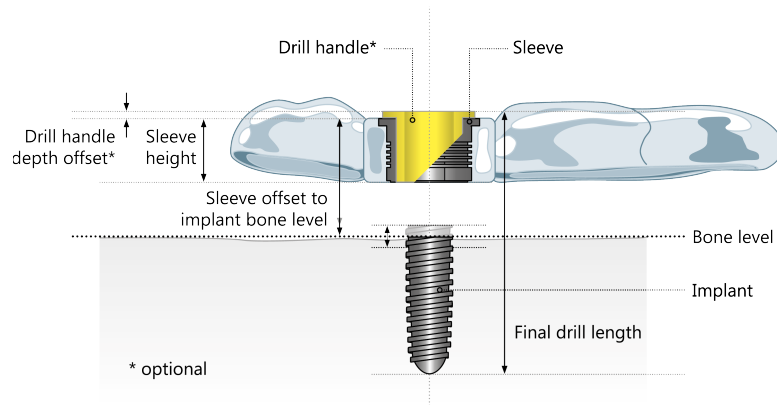


Surgical Report

Patient: Patient, Z
Date of Birth: N/A
Project: 2024-11-18_00001-001
Date: 2024-11-18
Dental Notation: FDI
Practice Name: ChairSideClient



Surgical guide (upper jaw)



This schematic diagram is provided only for the purpose of illustrating the information that follows.

Reviewed (Date/Signature): _____

exocad

Tooth
11 (FDI)

Patient: Patient, Z
Project: 2024-11-18_00001-001 (Upper jaw)

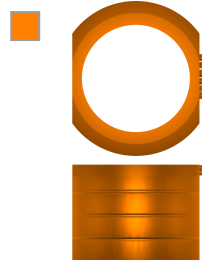
This automatically generated report should only be used as a guideline and therefore must not be considered official manufacturer documentation.

exocad

exocad

exocad Demo sleeve Ø 4.5 mm

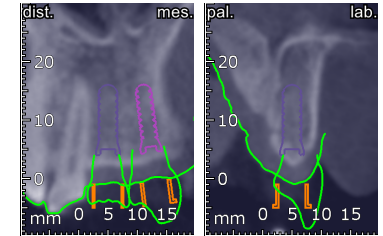
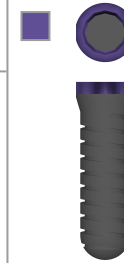
Ø 4.5 mm
H 4 mm



exocad

exolmplant, Ø 3.3 mm, 12 mm with rotation marker

Ø, 4 mm
L 12 mm



Article Number: S45_01
Inner Diameter Ø: 4.5 mm
Height H: 4 mm
Distance from sleeve top: To platform: 9 mm
to bone level: 9.8 mm

Article Number: exolmplant3312
Platform Diameter Ø: 4 mm
Length L: 12 mm
Body Diameter: 3.3 mm

exocad

exocad - Demo Drill Kit

Fully Guided

Soft Bone Density DIII/
DIV

1

Ø 4.5 mm



2

Ø 2 mm
L 23 mm



3

Ø 2.8 mm
L 23 mm

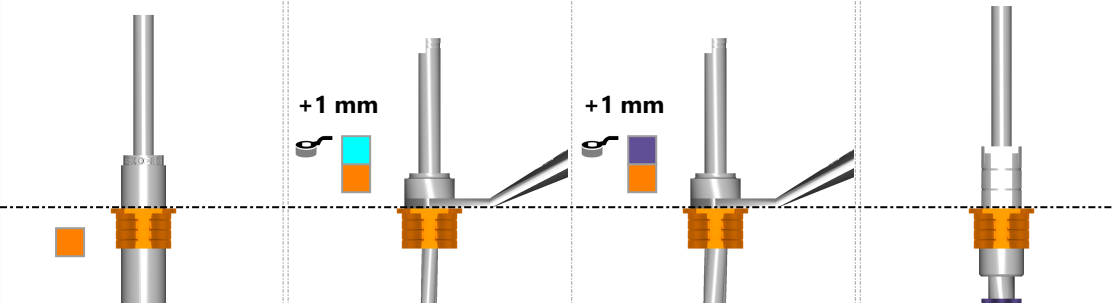


4

Driver Mark B



Insert implant until Depth Mark B is reached.



Bone Level
(Library)

Ø 4.5 mm exocad
Demo Tissue Punch
(P_45)

exoHandle Demo - Ø
2.0/4.5 mm (H20_45)

Pilot exoDrill Demo 2.0
x 23.0 mm (20_23)

exoHandle Demo - Ø
2.8/4.5 mm (H28_45)

exoDrill Demo 2.8 x
23.0 mm (28_23)

exoDriver Ø 4.5 mm
(45_DR_exo)

Tooth
21 (FDI)

Patient: Patient, Z
Project: 2024-11-18_00001-001 (Upper jaw)

This automatically generated report should only be used as a guideline and therefore must not be considered official manufacturer documentation.

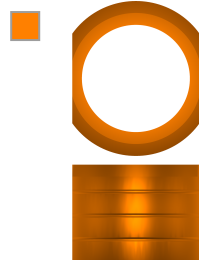
exocad

exocad

exocad Demo sleeve Ø 4.5 mm

Article Number S45_01
Inner Diameter Ø 4.5 mm
Height H 4 mm
Distance from sleeve top To platform: 9 mm
to bone level: 9.8 mm

Ø 4.5 mm
H 4 mm

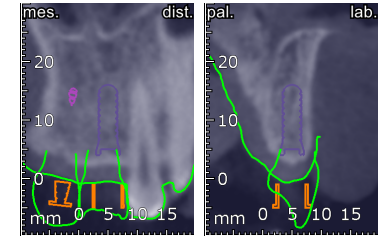
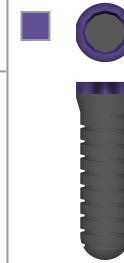


exocad

exolmplant, Ø 3.3 mm, 12 mm with rotation marker

Article Number exolmplant3312
Platform Diameter Ø 4 mm
Length L 12 mm
Body Diameter 3.3 mm

Ø 4 mm
L 12 mm



exocad

exocad - Demo Drill Kit

Fully Guided

Soft Bone Density DIII/
DIV

1

Ø 4.5 mm



2

Ø 2 mm
L 23 mm



3

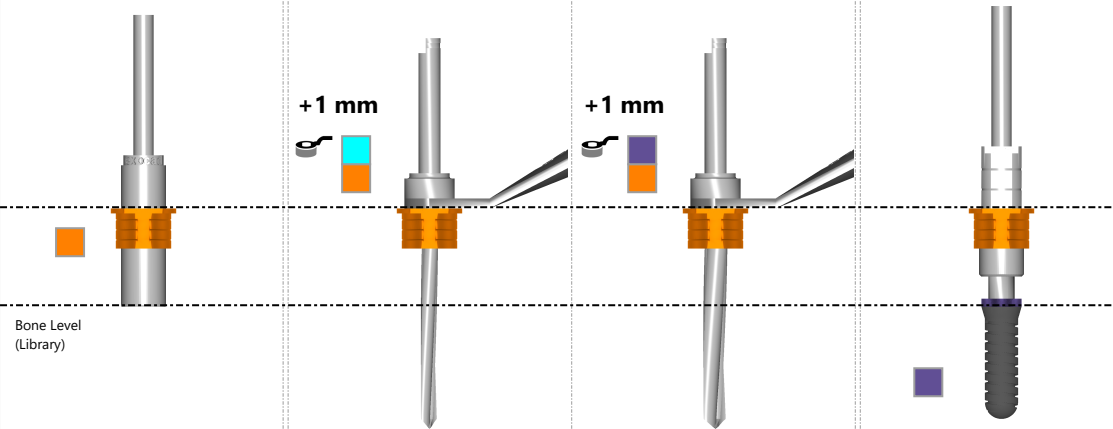
Ø 2.8 mm
L 23 mm



Driver Mark B



Insert implant until Depth
Mark B is reached.



Bone Level
(Library)

Ø 4.5 mm exocad
Demo Tissue Punch
(P_45)

exoHandle Demo - Ø
2.0/4.5 mm (H20_45)

Pilot exoDrill Demo 2.0
x 23.0 mm (20_23)

exoHandle Demo - Ø
2.8/4.5 mm (H28_45)

exoDrill Demo 2.8 x
23.0 mm (28_23)

exoDriver Ø 4.5 mm
(45_DR_exo)

Implant Information

Patient: Patient, Z

Project: 2024-11-18_00001-001

Tooth 11: exocad Demo - Implants FDA

Implant legal information: This library is for demonstration only.

Additional comment for implant: Material: Pure Darmstadtium; Surface: pure gold plated
For demonstration usage only!

Additional part name for implant: exoImplant, Ø 3.3 mm, 12 mm with rotation marker

Tooth 21: exocad Demo - Implants FDA

Implant legal information: This library is for demonstration only.

Additional comment for implant: Material: Pure Darmstadtium; Surface: pure gold plated
For demonstration usage only!

Additional part name for implant: exoImplant, Ø 3.3 mm, 12 mm with rotation marker

Sleeve & Kit Information

Patient: Patient, Z

Project: 2024-11-18_00001-001

Tooth 11: exocad - Demo Prototype Sleeves : Fully Guided Demo : Ø 4.5 mm

Sleeve legal information: Not real parts - For demonstration usage only!

Additional comment for sleeve: Not real parts - For demonstration usage only!

Drill legal information: Not real parts - For demonstration usage only!

Drill handle legal information: Not real parts - For demonstration usage only!

Additional comment for drill: Not real parts - For demonstration usage only!

Additional comment for drill handle: Not real parts - For demonstration usage only!

Tooth 21: exocad - Demo Prototype Sleeves : Fully Guided Demo : Ø 4.5 mm

Sleeve legal information: Not real parts - For demonstration usage only!

Additional comment for sleeve: Not real parts - For demonstration usage only!

Drill legal information: Not real parts - For demonstration usage only!

Drill handle legal information: Not real parts - For demonstration usage only!

Additional comment for drill: Not real parts - For demonstration usage only!

Additional comment for drill handle: Not real parts - For demonstration usage only!

Disclaimer

Patient: Patient, Z

Project: 2024-11-18_00001-001

The surgeon bears full medical responsibility for the development and application of the surgical guide, the surgical instruments, implants, guiding sleeves, etc. to be used. This document should be considered as an addition to other documentation related to implantation, it does not replace or cancel other documents.

Note: The appearance of implants, sleeves and anchor pins in this report does not necessarily correspond to the actual physical appearance of the corresponding parts.

WARNING: This surgical report is a compilation of information to support the performance of the surgical procedure. It is based on information provided by the respective manufacturers of the implants, drill sleeves or surgical kits. In order to prevent patient injuries, it is required that the implantologist diligently ensures that the dental parts in this surgical report are the correct intended parts and that they correspond to the physical parts intended to be used for the surgery.

Additional notes:

- Intersection with clearance objects after free-forming detected, but user decided to proceed.